

CAST

Enkelsugande radialfläkt CAST . Högtrycksfläkt i stålplåt med raka skovlar för transport av stoftbemängd luft och solida material



Robust motor bedplate

Fan:

- Steel sheet casing
- Sheet steel straight-blade impeller

Motor:

- Motors with IE-2 efficiency, except for motors with lower powers than 0.75 kW and single-phase motors.
- Class F motors, with bearings, IP55 protection.
- Three-phase 230/400V.50Hz. (up to 5.5CV.) and 400/690V.-50Hz. (power over 5.5CV.)
- Max. air temperature to transport: -20°C.+ 120°C

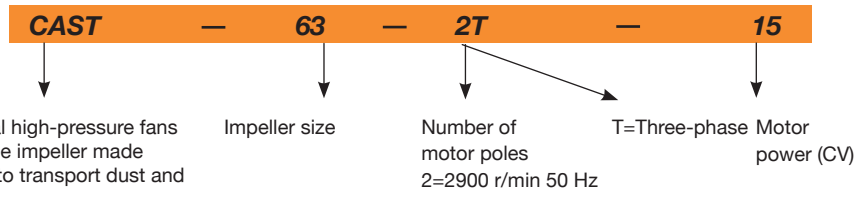
Finish:

- Anticorrosive finish in polyester resin, polymerised at 190°C, after alkaline degreasing and phosphate-free pre-treatment.

On request:

- Special windings for different voltages
- Fan designed to transport air up to 250°C
- ATEX certification, Category 2

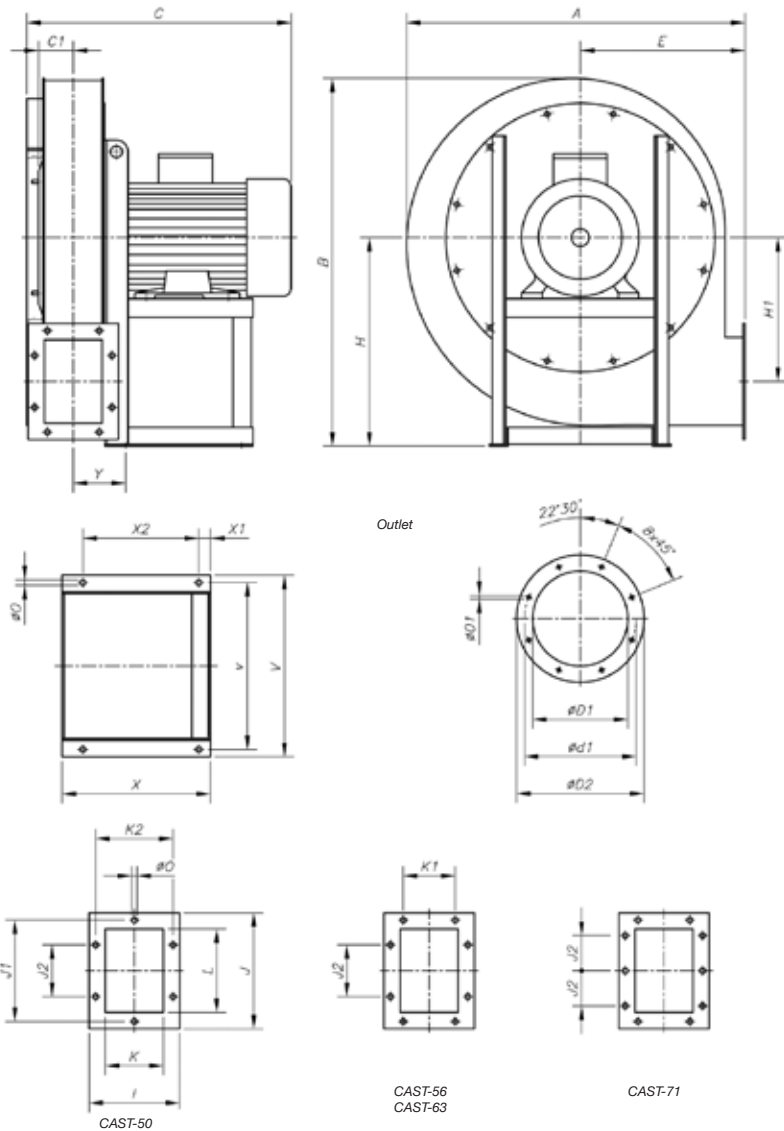
Order code



Technical characteristics

Model	Speed (r/min)	Maximum admissible current (A)			Installed power (kW)	Maximum airflow (m³/h)	Sound pressure level dB(A)	Approx. weight (Kg)
		230V	400V	690V				
CAST-50-2T-5.5	2870	13.60	7.82	6.09	4.00	2100	85	73
CAST-50-2T-7.5	2880		10.50	6.09	5.50	2700	86	87
CAST-50-2T-10	2870		14.50	8.41	7.50	3780	87	92
CAST-56-2T-10	2870		14.50	8.41	7.50	2700	89	130
CAST-56-2T-15	2940		20.30	11.7	11.00	4260	90	191
CAST-56-2T-20	2935		27.40	15.9	15.00	6000	90	202
CAST-63-2T-15	2940		20.30	11.7	11.00	3000	92	224
CAST-63-2T-20	2935		27.40	15.9	15.00	4260	93	235
CAST-63-2T-25	2930		32.40	18.7	18.50	6000	93	245
CAST-71-2T-30	2935		38.00	22	22.00	4800	95	297
CAST-71-2T-40	2940		50.00	29	30.00	6720	96	351

Dimensions in mm

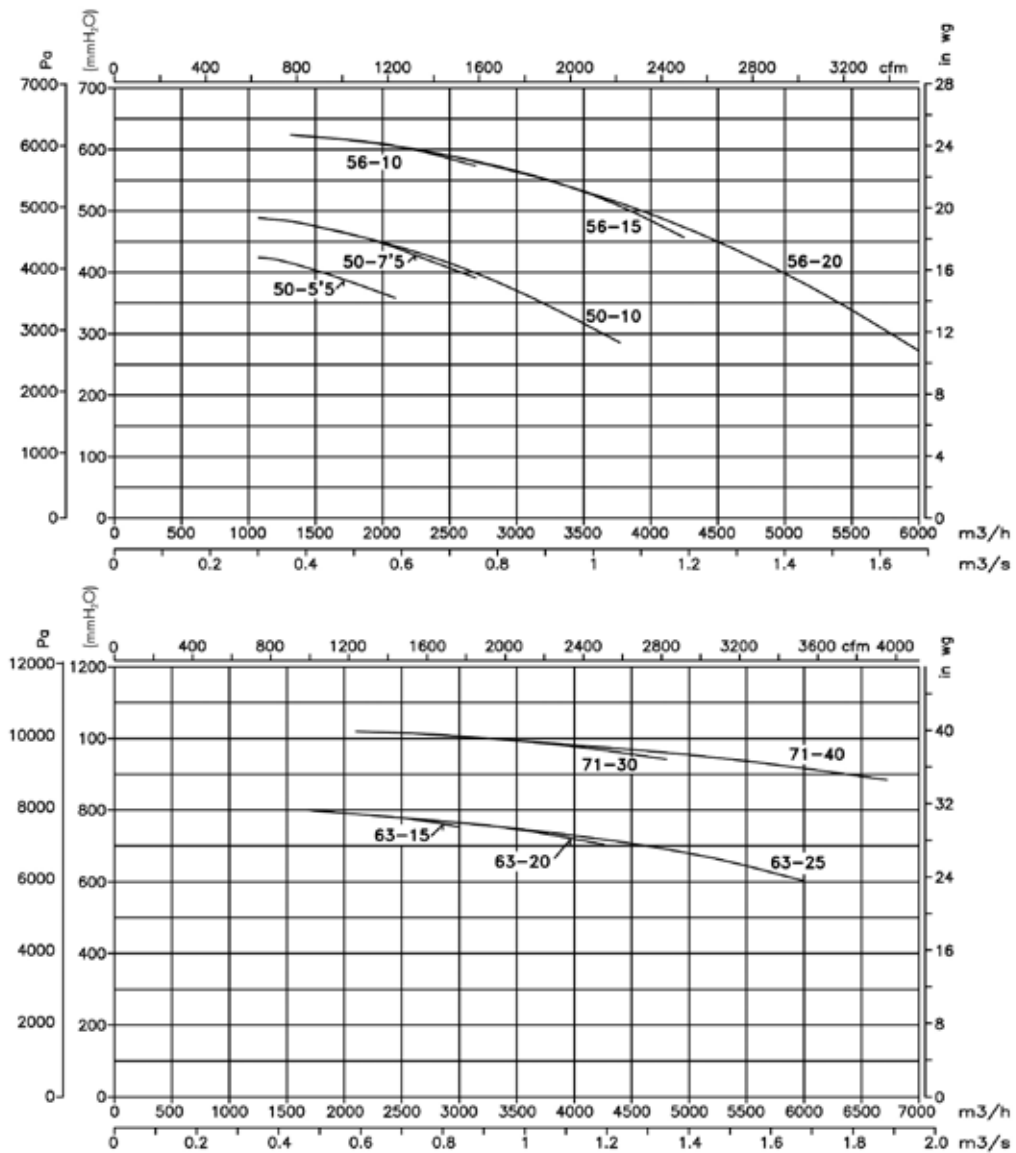


Model	Fan													Outlet								Inlet							
	A	B	C	C1	E	H	H1	Ø0	v	V	X	X1	X2	Y	I	J	J1	J2	K	K1	K2	L	Ø0	n°	ØD1	ØD1	ØD2	ØD1	n°
	drills																												
CAST-50-2T-5'5	730	795	510	75	355	450	310	12	300	332	260	25	200	70	195	250	219	112	125	-	167	180	11'5	6	241	205	275	11'5	8
CAST-50-2T-7'5	730	795	570	75	355	450	310	12	360	392	320	25	250	70	195	250	219	112	125	-	167	180	11'5	6	241	205	275	11'5	8
CAST-50-2T-10	730	795	570	75	355	450	310	12	360	392	320	25	250	70	195	250	219	112	125	-	167	180	11'5	6	241	205	275	11'5	8
CAST-56-2T-10	825	895	595	86	400	500	350	12	360	392	320	25	250	79	210	270	241	112	140	112	182	200	11'5	8	265	229	299	11'5	8
CAST-56-2T-12'5	825	895	595	86	400	500	350	12	360	392	320	25	250	79	210	270	241	112	140	112	182	200	11'5	8	265	229	299	11'5	8
CAST-56-2T-15	825	895	730	86	400	500	350	14	400	440	425	30	340	79	210	270	241	112	140	112	182	200	11'5	8	265	229	299	11'5	8
CAST-56-2T-20	825	895	730	86	400	500	350	14	400	440	425	30	340	79	210	270	241	112	140	112	182	200	11'5	8	265	229	299	11'5	8
CAST-63-2T-15	895	990	750	100	425	560	390	14	400	440	425	30	340	89	230	294	265	112	160	112	200	224	11'5	8	292	255	325	11'5	8
CAST-63-2T-20	895	990	750	100	425	560	390	14	400	440	425	30	340	89	230	294	265	112	160	112	200	224	11'5	8	292	255	325	11'5	8
CAST-63-2T-30	895	990	750	100	425	560	390	14	400	440	425	30	340	89	230	294	265	112	160	112	200	224	11'5	8	292	255	325	11'5	8
CAST-71-2T-30	1005	1115	780	110	475	630	435	14	450	500	470	35	370	100	250	320	292	112	180	112	219	250	11'5	10	332	286	366	11'5	8
CAST-71-2T-40	1005	1115	855	110	475	630	435	16	510	700	500	40	385	100	250	320	292	112	180	112	219	250	11'5	10	332	286	366	11'5	8

Characteristic Curves

Q = Airflow in m³/h, m³/s and cfm.

Pe = Static pressure in mm.w.c., Pa and inwg.



Positions

LG 270 standard supply
 LG 180 position on request
 and with special fixing measurements.



Supplied on request
 RD 180 position with special
 fixing measurements.



Accessories

See accessories section.

