

CA/ATEX



Built in aluminium to prevent sparks

Centrifugal single-inlet, high-pressure fans made from cast aluminium with ATEX certification

Centrifugal high-pressure fans with casing and impeller made from cast aluminium with ATEX certification, CEE ExII2G Ex e explosion-proof and CEE ExII2G Ex d, Ex tc, or Ex tb flame-resistant motor to work in explosive atmospheres.

Fan:

- Casing made from cast aluminium
- Impeller made from cast aluminium

Motor:

- Class F motors with ball bearings and ATEX certification, Ex e explosion-proof and Ex d, Ex tc, or Ex tb flame-resistant
- Three phase, 50Hz, 230/400V motors up to and including 4kW. 400/690V over 4kW
- Max. air temperature to transport: -20°C+ 80°C



Ex "e" marked: $\text{CE} \text{Ex} \text{II} 2\text{G} \text{Ex} \text{e}$
 Ex "d" marked: $\text{CE} \text{Ex} \text{II} 2\text{G} \text{Ex} \text{d}$
 Ex tc marked: $\text{CE} \text{Ex} \text{II} 3\text{D} \text{Ex} \text{tc}$
 Ex tb marked: $\text{CE} \text{Ex} \text{II} 2\text{D} \text{Ex} \text{tb}$
 Notified authority: L.O.M
 Identification No:
 LOM4ATEX007

Finish:

- Rust retardant finish with ATEX paint, containing no ferrous components, in polyester resin polymerised at 190°C, after phosphate free pre-treatment

On request:

- Built-in motors with PTC
- Special windings for different electrical supplies and frequencies
- ATEX construction for different categories
- Fans with two-speed motor.

Order code

CA/ATEX — 148 — 2T — 0,75 — Ex d

Centrifugal single-inlet, high-pressure fans with casing and impeller made from cast aluminium, with ATEX certification

Impeller size

Number of motor pole
 T=Three-phase
 2=2900 r/min. 50 Hz

Motor power (HP)

Ex-e: marked:
 $\text{CE} \text{Ex} \text{II} 2\text{G} \text{Ex} \text{e} \text{IIB} \text{T}3$
 Ex "d" marked:
 $\text{CE} \text{Ex} \text{II} 2\text{G} \text{Ex} \text{d} \text{IIB} \text{T}5$
 Ex tc marked:
 $\text{CE} \text{Ex} \text{II} 3\text{D} \text{Ex} \text{tc}$
 Ex tb marked:
 $\text{CE} \text{Ex} \text{II} 2\text{D} \text{Ex} \text{tb}$

Marked:

$\text{CE} \text{Ex} \text{II} 2\text{G} \text{c}$
 $\text{CE} \text{Ex} \text{II} 2\text{D} \text{c}$
 $\text{CE} \text{Ex} \text{II} 3\text{D} \text{c}$

Technical characteristics

Model	Speed (r/min)	Maximum current admissible (A)			Installed power (kW)	Maximum airflow (m ³ /h)	Sound pressure level dB(A)	Approx. weight (Kg)
		230V	400V	690V				
CA/ATEX-234-2T	2770	2.08	1.20		0.37	220	72	10.2
CA/ATEX-142-2T-0.33	2740	1.73	1.00		0.25	275	73	22.5
CA/ATEX-142-2T-0.5	2770	2.08	1.20		0.37	350	73	22.5
CA/ATEX-148-2T-0.75	2710	2.94	1.70		0.55	400	74	28.0
CA/ATEX-148-2T-1	2820	3.46	2.00		0.75	490	75	30.0
CA/ATEX-148-2T-1.5	2850	4.50	2.60		1.10	610	76	32.0
CA/ATEX-154-2T-1.5	2850	4.50	2.60		1.10	600	78	46.0
CA/ATEX-154-2T-2	2800	6.24	3.60		1.50	800	79	48.5
CA/ATEX-154-2T-3	2860	8.66	5.00		2.20	1280	80	50.5
CA/ATEX-160-2T-2	2800	6.24	3.60		1.50	500	83	57.0
CA/ATEX-160-2T-3	2860	8.66	5.00		2.20	900	84	58.0
CA/ATEX-166-2T-3	2860	8.66	5.00		2.20	500	84	67.0
CA/ATEX-166-2T-4	2845	12.12	7.00		3.00	950	85	73.0
CA/ATEX-166-2T-5.5	2910	15.42	8.90		4.00	1600	86	76.0
CA/ATEX-172-2T-5.5	2910	15.42	8.90		4.00	1100	87	90.0
CA/ATEX-172-2T-7.5	2880		10.50	6.09	5.50	1710	88	112.0
CA/ATEX-172-2T-10	2880		15.70	9.06	7.50	2300	89	124.0

Acoustic features

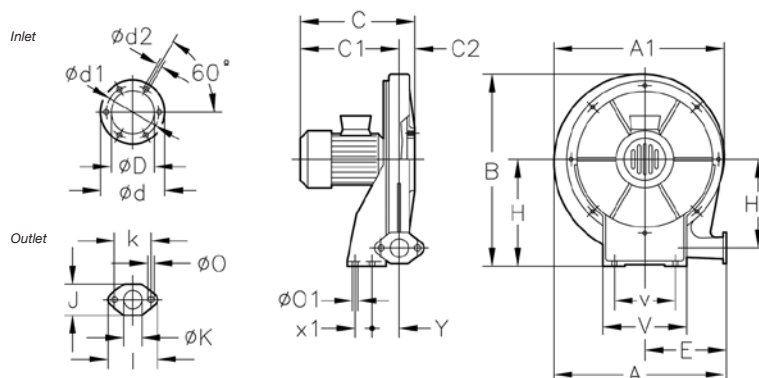
The specified values are determined according to free field measurements of pressure and sound levels in dB(A) at an equivalent distance of twice the fan's span plus the turbine's diameter, with a minimum of 1.5 m.

Sound power Lw(A) spectrum in dB(A) via frequency band in Hz.

Model	63	125	250	500	1000	2000	4000	8000	Model	63	125	250	500	1000	2000	4000	8000
234	38	51	65	72	80	79	73	64	160-2	54	67	81	88	96	94	88	80
142	39	52	66	73	81	80	74	65	160-3	55	68	82	89	97	95	89	81
148-0.75	43	56	70	77	85	83	77	69	166-3	55	68	82	89	97	95	89	81
148-1	44	57	71	78	86	84	78	70	166-4	56	69	83	90	98	96	90	82
148-1.5	45	58	72	79	87	85	79	71	166-5.5	57	70	84	91	99	97	91	83
154-1.5	47	60	74	81	89	87	81	73	172-5.5	59	72	86	93	101	100	94	85
154-2	48	61	75	82	90	88	82	74	172-7.5	60	73	87	94	102	101	95	86
154-3	49	62	76	83	91	89	83	75	172-10	61	74	88	95	103	102	96	87

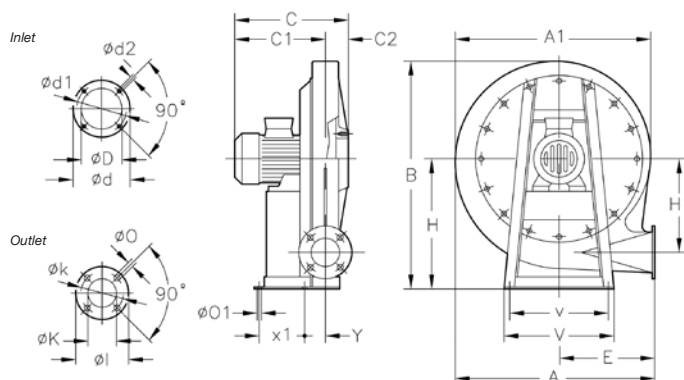
Dimensions in mm

CA/ATEX-234



Model	A	A1	B	C	C1	C2	ϕD	ϕd	$\phi d1$	$\phi d2$	E	H	H1	I	J	ϕK	k	ϕO	$\phi O1$	V	v	x1	Y
CA-234-2T-0.33	376	381	415	272	242.5	29.5	98	130	115	M4	175	225	187	98	63	40	72	9	9	180	120	40	94
CA-234-2M-0.33	376	381	415	272	242.5	29.5	98	130	115	M4	175	225	187	98	63	40	72	9	9	180	120	40	94

CA/ATEX-142...172



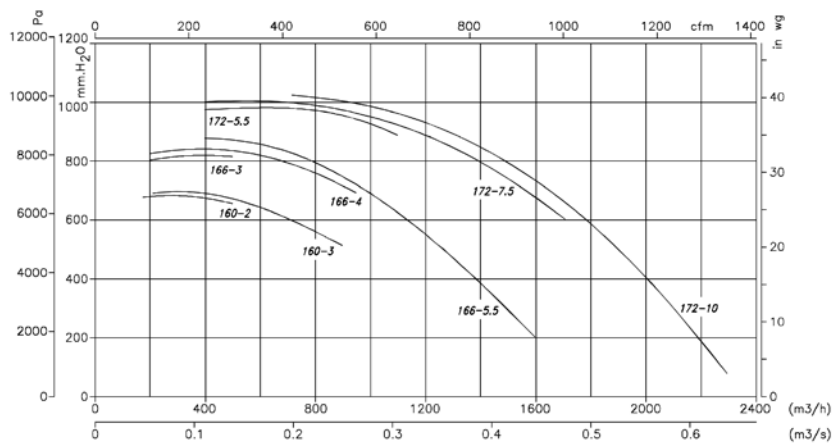
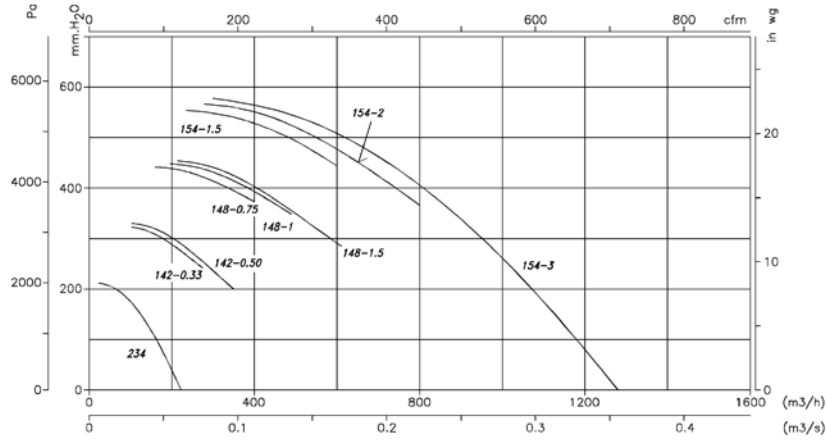
Model	A	A1	B	C	C1	C2	ϕD	ϕd	$\phi d1$	$\phi d2$	E	H	H1	ϕI	ϕK	ϕk	ϕO	$\phi O1$	V	v	x1	Y
CA-142-2T-0'33	494	488	540	270	221.52	48.5	90	160	130	M8	240	301	235	120	60	90	11	12	300	270	130	51
CA-142-2T-0'5	494	488	540	290	241.5	48.5	90	160	130	M8	240	301	235	120	60	90	11	12	300	270	130	51
CA-148-2T-0'75	563	557.5	639	308.5	251.5	57	100	170	140	M8	270	360	269.5	150	73	110	11	12	330	290	140	60
CA-148-2T-1	563	557.5	639	324.5	267.5	57	100	170	140	M8	270	360	269.5	150	73	110	11	12	330	290	140	60
CA-148-2T-1'5	563	557.5	639	324.5	267.5	57	100	170	140	M8	270	360	269.5	150	73	110	11	12	330	290	140	60
CA-154-2T-1'5	630	625	708	348	268.5	79.5	115	183	155	M10	300	395	308	160	80	120	13	12	356	320	210	62
CA-154-2T-2	630	625	708	371	291.5	79.5	115	183	155	M10	300	395	308	160	80	120	13	12	356	320	210	62
CA-154-2T-3	630	625	708	396	316.5	79.5	115	183	155	M10	300	395	308	160	80	120	13	12	356	320	210	62
CA-160-2T-2	708	699	785	381	291	90	130	230	192	M10	336	440	338	160	85	120	13	12	373	322	220	62
CA-160-2T-3	708	699	785	406	316	90	130	230	192	M10	336	440	338	160	85	120	13	12	373	322	220	62
CA-166-2T-3	759	752	866	399	319.5	79.5	140	230	200	M10	364	490	372	160	85	120	13	12	450	400	245	70
CA-166-2T-4	759	752	866	423	343.5	79.5	140	230	200	M10	364	490	372	160	85	120	13	12	450	400	245	70
CA-166-2T-5'5	759	752	866	445	365.5	79.5	140	230	200	M10	364	490	372	160	85	120	13	12	450	400	265	70
CA-172-2T-5'5	818	813	923	451	371	80	148	230	200	M10	390	516	404	175	90	140	13	12	450	400	260	78
CA-172-2T-7'5	818	813	923	492	412	80	148	230	200	M10	390	516	404	175	90	140	13	12	450	400	300	78
CA-172-2T-10	818	813	923	492	412	80	148	230	200	M10	390	516	404	175	90	140	13	12	450	400	300	78

The measures correspond to the Ex "e" version

Characteristic Curves

Q = Airflow in m³/h, m³/s and cfm.

Pe= Static pressure in mmH₂O, Pa and inwg.



Positions

LG 270 standard supply

LG 180 positions on request and with special fixing measures.



Accessories

See accessories section.



EKB..Fläktar för Industri & Ventilation