

EZQ 20/4 E-Ex
DZQ 20/.. A-Ex – DZQ 60/.. A-Ex

MAICO-ZEPHIREX

- D** Montage- und Gebrauchsanweisung
- GB** Mounting instructions
and directions for use
- F** Instructions de montage
et mode d'emploi



High Performance Fan for Installation in wall or ceiling

Note:

- Read through these instructions carefully and completely before attempting to install the fan.
- Prescribed use: MAICO accepts no liability for damage caused as a result of application not in accordance with the intended use of the equipment..



Important notes

- Electrical connection and repairs may only be carried out by suitably qualified experts.
- The fan may only be operated at the rated voltage specified on the rating plate.
- Electrical and appliance installation must be carried out in accordance with the valid regulations, in particular DIN VDE 0100 with the sections .
- The installation must be equipped with a mains disconnecting device with a contact opening of at least 3 mm at each pole.
- Every Motor must be operated with a motor protection switch, set to the rated current, which in the case of a short circuit trips within the heating time shown on the test certificate.
- Maximum permissible temperature of the medium to be delivered +50°C.
- Fans designed for use in explosive atmospheres must be safeguarded against foreign bodies being dropped or suctioned into the fan. Ball bearings must be checked at least once a year for smooth running, and if necessary exchanged for new ball bearings lubricated with original bearing grease.
- The fan may only be put into service when the accidental impeller contact protection is provided in accordance with DIN EN 294 (DIN 31001) or DIN 24167 part 1, for example using the MAICO louvre shutters AS... or RS...
- The fans are produced in compliance with DIN VDE 0170/0171 and VDMA 24169 Parts 1 and 2. When installing (exclusively in zones 1, 2 and 11), due attention must be paid to the valid regulations, in particular to DIN VDE 0165.
- The fan is designed in accordance with VDE safety requirements within the scope of the Appliance Safety Act and the valid stipulations of the EC directives.

Air flow direction

Fig.1:

Air flow direction "A" (air drawn across the motor)
Air flow direction "B" (air blow across the motor)

Preliminary Work

- Break through the wall.
 - When working in masonry, finish the opening with plaster.

Installation

- The mounting surface must be perfectly even.
- The mounting hardware must be provided by the customer.
 - A secure, lasting fixture must be guaranteed.
 - Only use screws of at least strength category 4.8 in accordance with DIN 267.
- When using the extension ducting sleeve VH... install the fan with the extension ducting sleeve always attached.

Mounting the terminal box

- Insert the mains conductor through the cable gland at the side.
- When using the external ground conductor terminal, the conductor must be laid underneath the two shanks of the terminal clamp and tightened firmly in place.

Technical Data

- See the rating plate or valid MAICO catalogue.

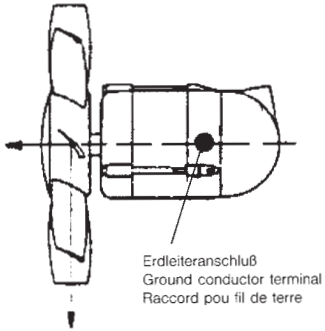
Electrical connection

- In accordance with the wiring diagram in Fig. 1.

1

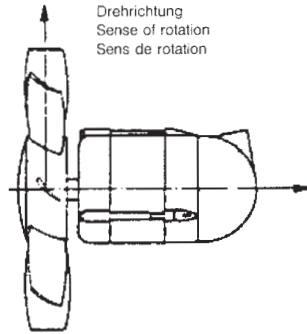
Förderrichtung - Air flow direction - Sens de refoulement

“A”



Drehrichtung
Sense of rotation
Sens de rotation

“B”



Drehrichtung
Sense of rotation
Sens de rotation

Schaltbild – wiring diagram – schémas de connexion

Spaltpolmotor
Shades-pole motor
Moteur à pôles fendus
EZQ 20/4 E-EX

Drehstrommotor
Threephase motor
Moteur à courant triphasé
DZQ ... A-Ex

