

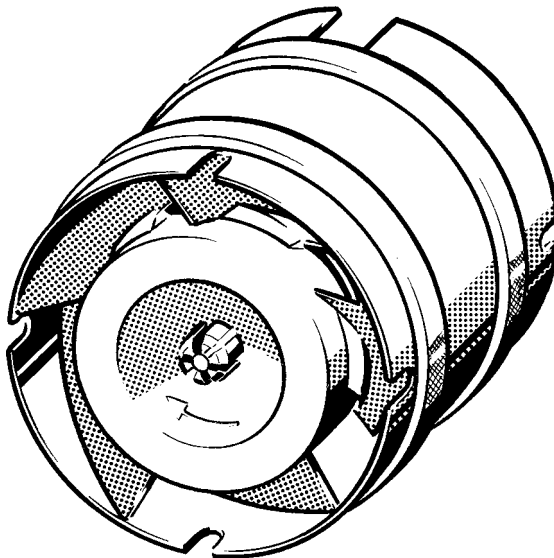
Rohreinschubventilator
Duct-mounted fan
Aérateur tubulaires



ECA 11 E

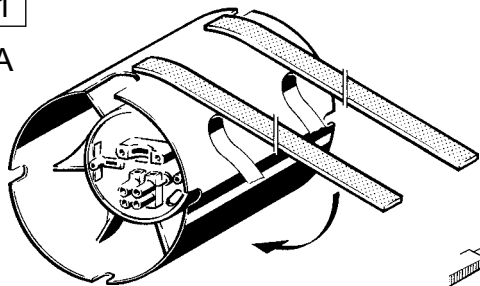
Montage- und Betriebsanleitung
Mounting and Operating instructions
Instructions de montage et Mode d'emploi

(D) (GB) (F) (CZ) (H) (PL)

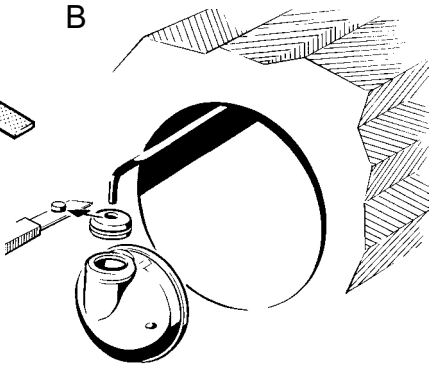


1

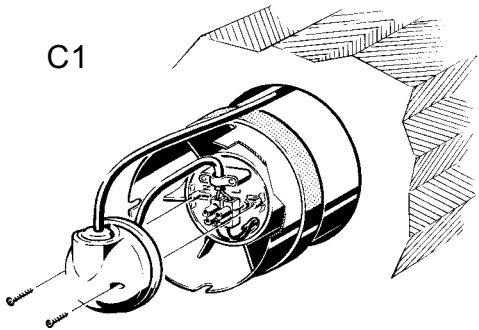
A



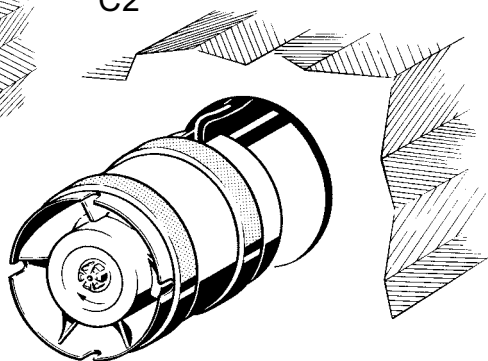
B



C1

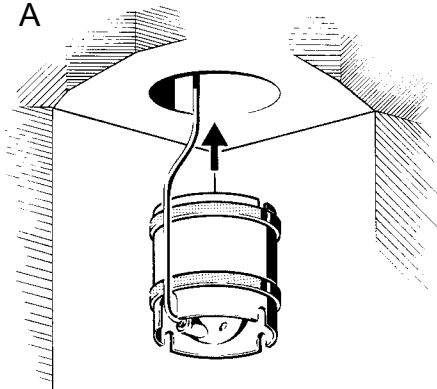


C2

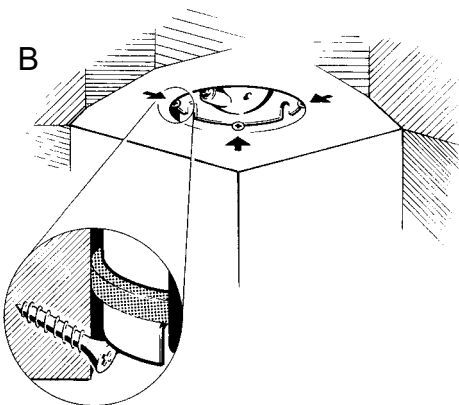


2

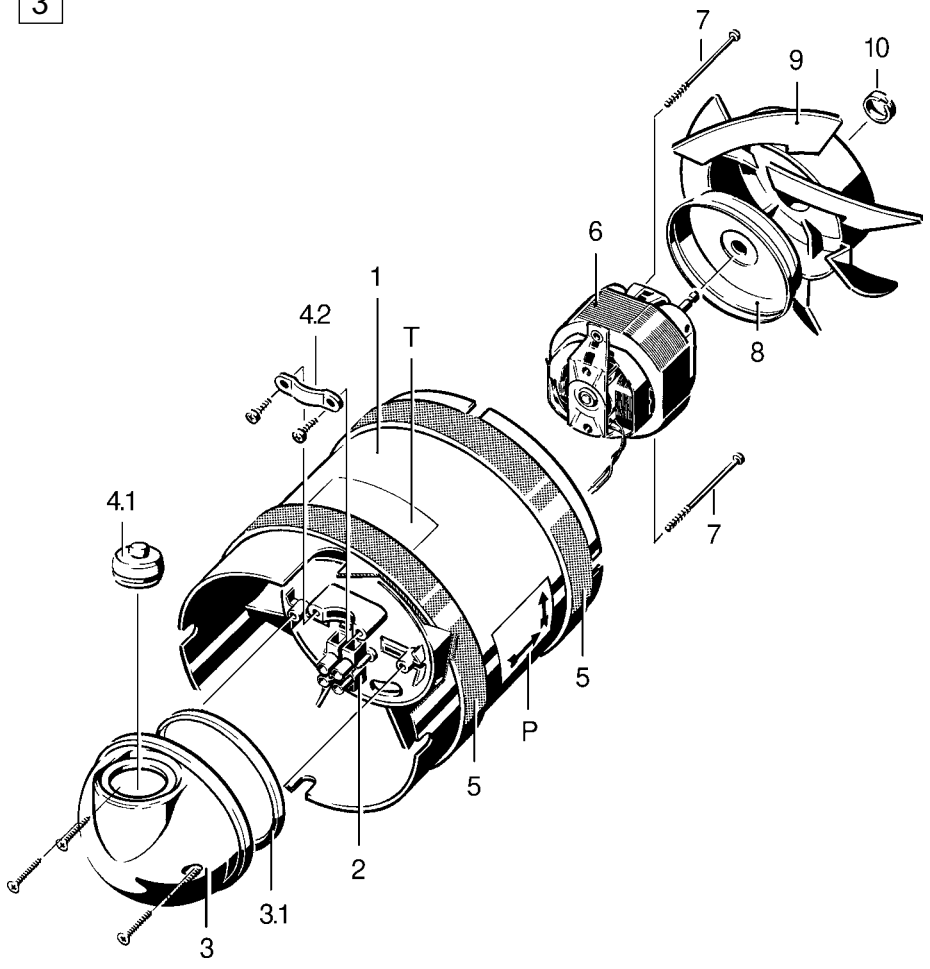
A



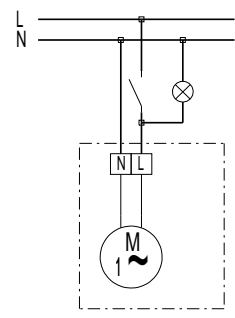
B



3



4



Duct-mounted fans ECA 11 E

Depending on the installation position in the duct, ECA 11 E fans are used for ventilating or extracting air from bathrooms, toilets, storage rooms or larders, offices, etc.

It is permitted to transport air or air-based mixtures that have a maximum airstream temperature of +40 °C. It is not permitted to transport gases, mist or vapours or mixtures thereof, as well as liquids and solids. Operation is also not permitted in areas subject to explosion hazards or in the area of inflammable materials.

The fan may only be used when correctly installed in ducts, if safety is guaranteed through safety equipment in accordance with DIN EN 294 or other structural protective measures.

Modifications and changes to the device are not permitted. MAICO accepts no liability for any damage caused by non-authorised use.



Safety instructions

Read the instructions carefully and completely before you install the fan or commission it. Keep the instructions somewhere safe.

- Electrical connection work and repairs should only be carried out by qualified electricians.
- During electrical installation, ensure compliance with the corresponding regulations, in particular the pertinent sections of DIN VDE 0100. In rooms with a bath or shower installed, for example, part 701 is relevant.
- **Important when installed for extraction and in air-ventilated fireplaces:** If the fans are being used with air-ventilated fireplaces, you must ensure that there is sufficient flow of supply air. The maximum permitted pressure difference per domestic unit is 4 Pa.
- The fan motor is thermally protected. The unit switches off automatically in the case of overheating. Before starting it up again, leave the fan switched off long enough for the motor and temperature limiter to cool down. Only then should you switch it back on.

- The fan is designed in accordance with VDE safety requirements within the framework of the Equipment and Product safety act as well as the pertinent regulations laid down in the EC directives.

Operating conditions

- **Installation location, installation position**
In ducts. Any installation position can be used in dry rooms.
- **Protective grille**
The fan/duct should be secured against the danger of foreign bodies falling in or being sucked in. In order to fulfil the safety requirements of the Equipment and Product Safety Act, a protective grille compliant with DIN EN 294 (DIN 31001) must be installed at the corresponding position for fans with free inlet or outlet, e.g. SGR ...
- **Protection class / Degree of protection**
 - The fan only complies with the degree of protection indicated on the rating plate if mounted in accordance with its prescribed application (horizontal).
 - The fan complies with jet-water protection IP X5 in accordance with DIN 0470 and/or DIN IEC 34/VDE 0530 Part 5.
 - The degree of protection is only guaranteed if the cables are correctly inserted in the corresponding cable grommet.
- **Temperatures**
The maximum permitted airstream temperature is +40 °C.
- **Rated voltage, Power frequency**
The fan should only be operated using the rated voltage and power frequency indicated on the rating plate.
- **Rotating speed**
Please refer to the current Maico catalogue for speed control accessories.
- **Fixed electrical cabling**
The fan may only be connected to a permanent electrical installation (max. 1.5 mm²). This must be fitted with a mains isolation device that has contact openings of at least 3.5 mm at each pole.

Installation

i Notes

- In order to prevent the impeller [9] from scraping, do not twist or distort the housing [1] during installation.
- Take note of the required power cable length. The fan is connected outside the wall sleeve.
- Airstream and rotational directions are indicated by arrows marked on the fan housing (Fig. 3: Arrow direction „P“ = air flow direction).
- When installing in a ceiling, make sure that the fan is secured with three self-tapping screws, see Fig. 2B.

Procedure:

1. Prepare the ducting system and electrical installation.
2. **Carry out the installation and electrical connections by reference to Fig. 1 and 2 and the wiring diagrams in Fig. 4. Important:**
 - Check the correct seating of the O ring [3.1] in the motor cap [3], to ensure jet-water protection (IP X5). If necessary, place the O ring correctly in the slot, making sure the positioning is correct.
 - Fit motor cap [3] according to the figure.
 - Insert the fan into the wall sleeve, depending on the air flow direction.
C1 = air extraction / C2 = ventilation
3. Fit the protective grille.
4. Carry out a function test.

Fig. 3: Overview **Spare parts = bold print**

Advice about ordering spare parts: Always quote the print number 0185.0897.0006 of these instructions, the production date „X“ (stamped on the terminal area) and the relevant item number.

- 1 Housing
- 2 Connection terminal, 2-pin
- 3 Motor cap**
 - 3.1 O ring
- 4 Accessories, complete**
 - 4.1 Grommet, white
 - 4.2 Tension relief
 - 5 Adhesive tape
 - 6 Motor
 - 7 Screw
 - 8 Motor protection cover
 - 9 Impeller
 - 10 Retaining ring

Cleaning and maintenance

- Make sure all power sources are completely disconnected before carrying out any cleaning or maintenance work. This should include removing the mains fuse and posting warning signs advising not to re-apply power.
- All dust and dirt should be removed carefully and regularly from the surface and inside of the air channel.
- Never use any cleaning agents that may be injurious to health or that are abrasive or easily inflammable.

Problems, Solutions

Mains fuse: Always check whether the mains fuse is switched on in the case of a fault.

The thermal overload protection has been triggered, the fan switches off.

The fan motor is thermally protected. The unit switches off automatically in the case of overheating. Before starting it up again, leave the fan switched off long enough for the motor and temperature limiter to cool down. Depending on the size and the temperatures involved, the cool-down time could be up to 10 minutes.

If the error is still present after switching back on, you should seek professional advice.

Repairs should only be carried out by trained, professional specialists.

Disposal

The fan contains some recyclable materials and some substances that should not be disposed of in the rubbish. After its lifetime has elapsed, dispose of the device according to the valid regulations.

Technical Data

See the rating plate [T].